

PIVOT-PRO Clip-On Hinge



Exclusively available on B Door Style.

- The opening angle is 105°.(refer to ❶)
- Removed and reattached quickly without removing any screws.
- Innovative Damping Technology.
- Adjustable Damping Force.

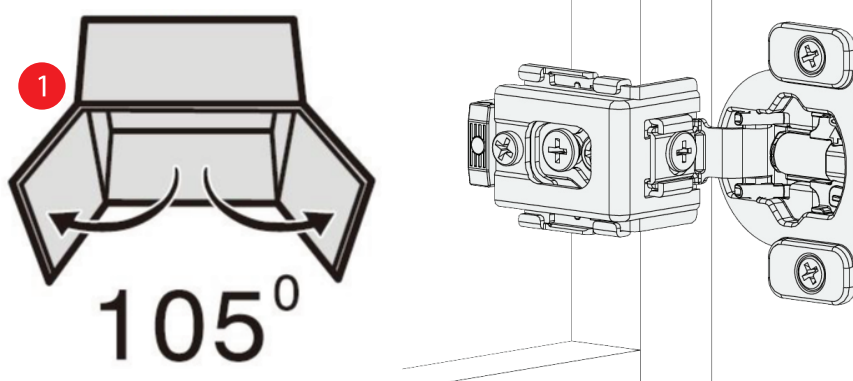


Diagram 1

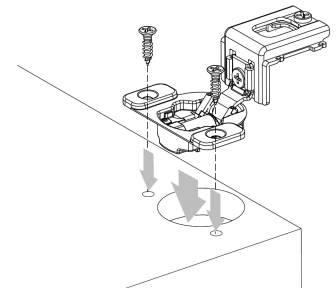


Diagram 2

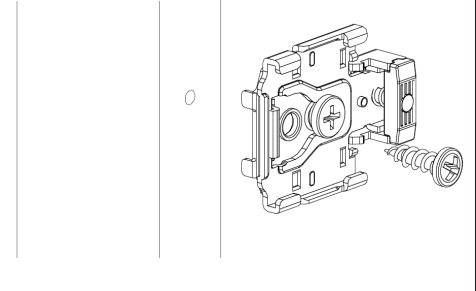


Diagram 3

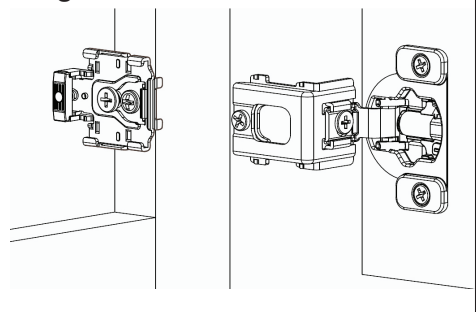


Diagram 4

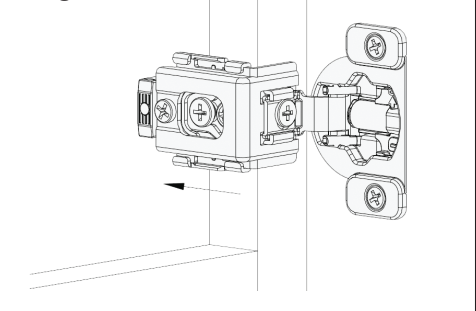
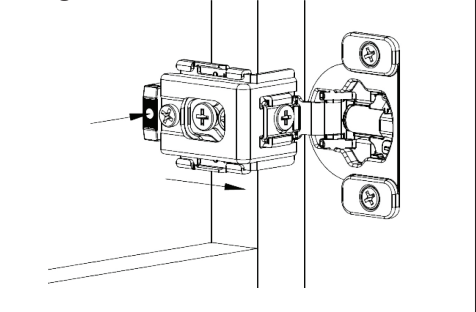


Diagram 5



Decorative Cover
(optional)



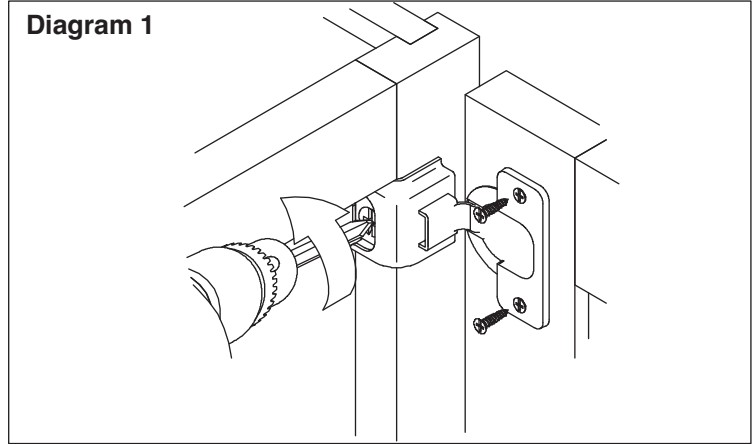
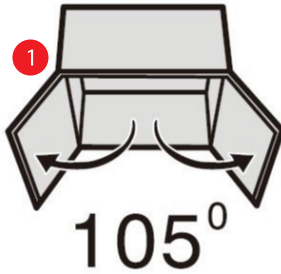
With Cover



Adjusting Door Hinge

Available on all styles except B Door Style.

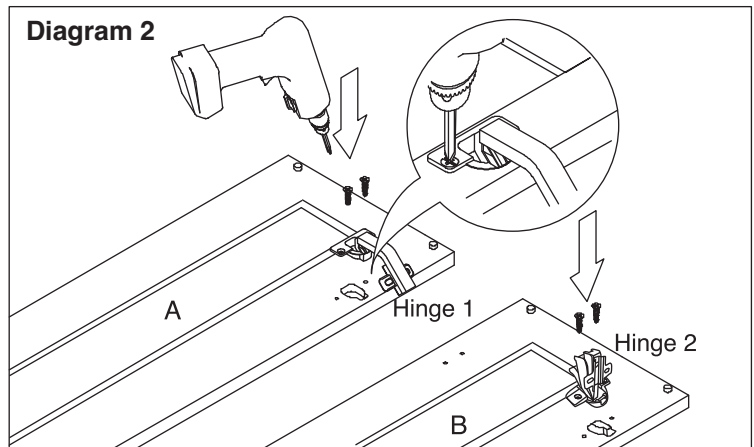
- The opening angle is 105°. (refer to 1)



DOORS with FINAL HINGES

Square the doors to the door opening using a screwdriver to adjust the hinges.

Diagram 1: Shows the three screws you can use to adjust final hinges.



DOORS with CONCEALED HINGES (like LS3612)

To adjust concealed hinges, see Diagram 2,3,4.

Diagram 2: Insert hinge 1 to door panel A, insert hinge 2 to door panel B. Drill hinges to the door.

Diagram 3: Connect door panel A to door panel B. Drill hinge-1 to door panel-B.

Diagram 4: Drill hinge-2 to front right panel.

