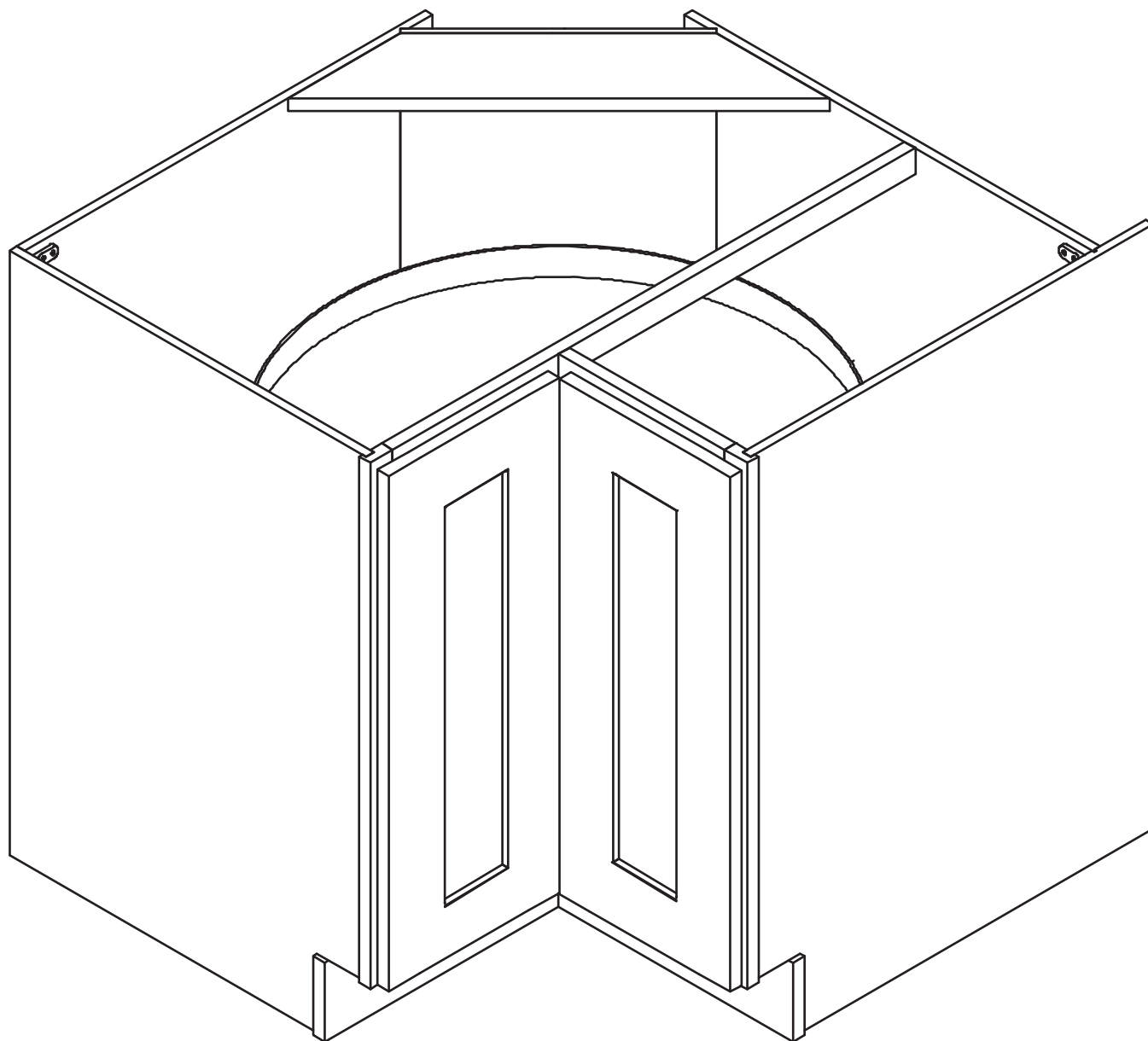
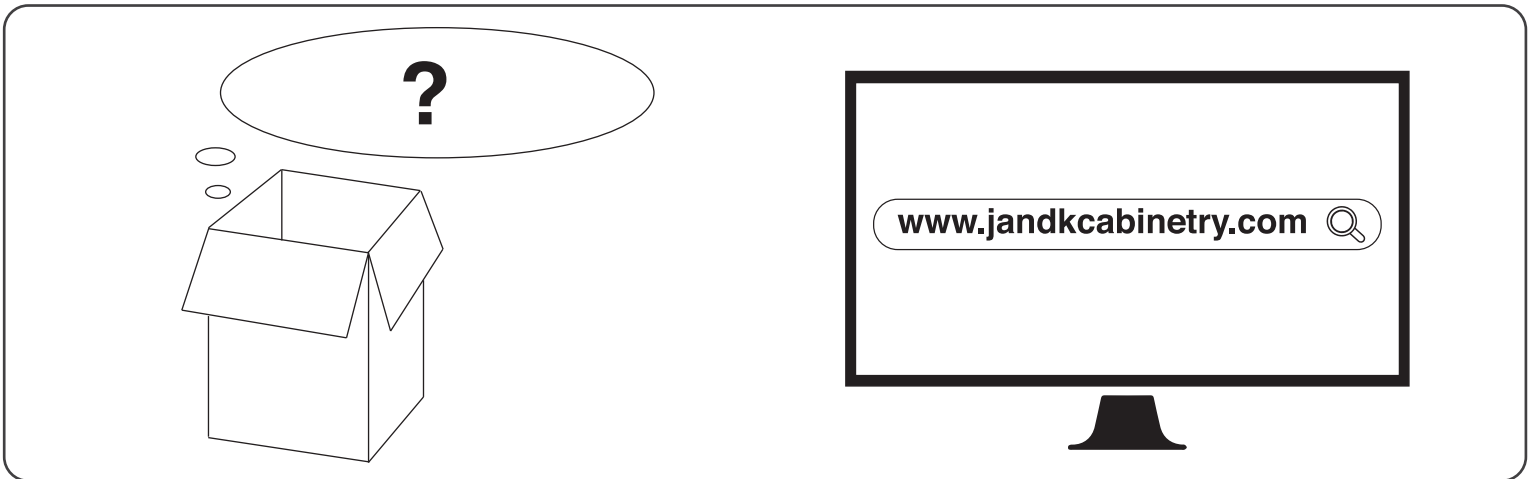
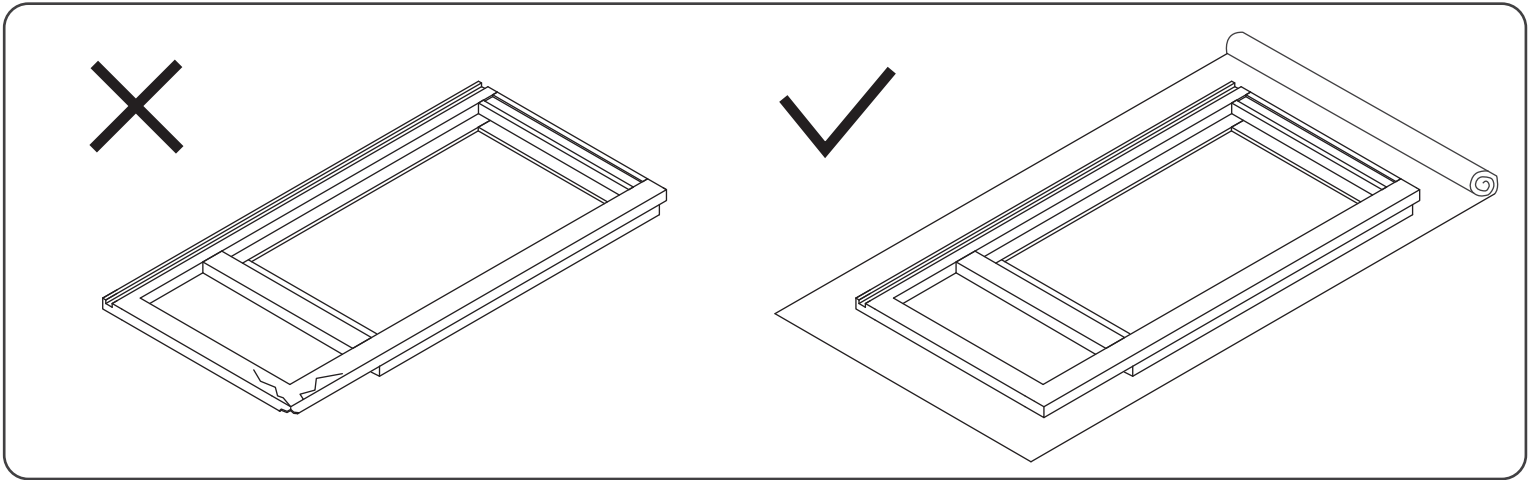


Assembly Instruction

2020 Edition



Lazy Susan
Item Code:
LS3309, LS3612



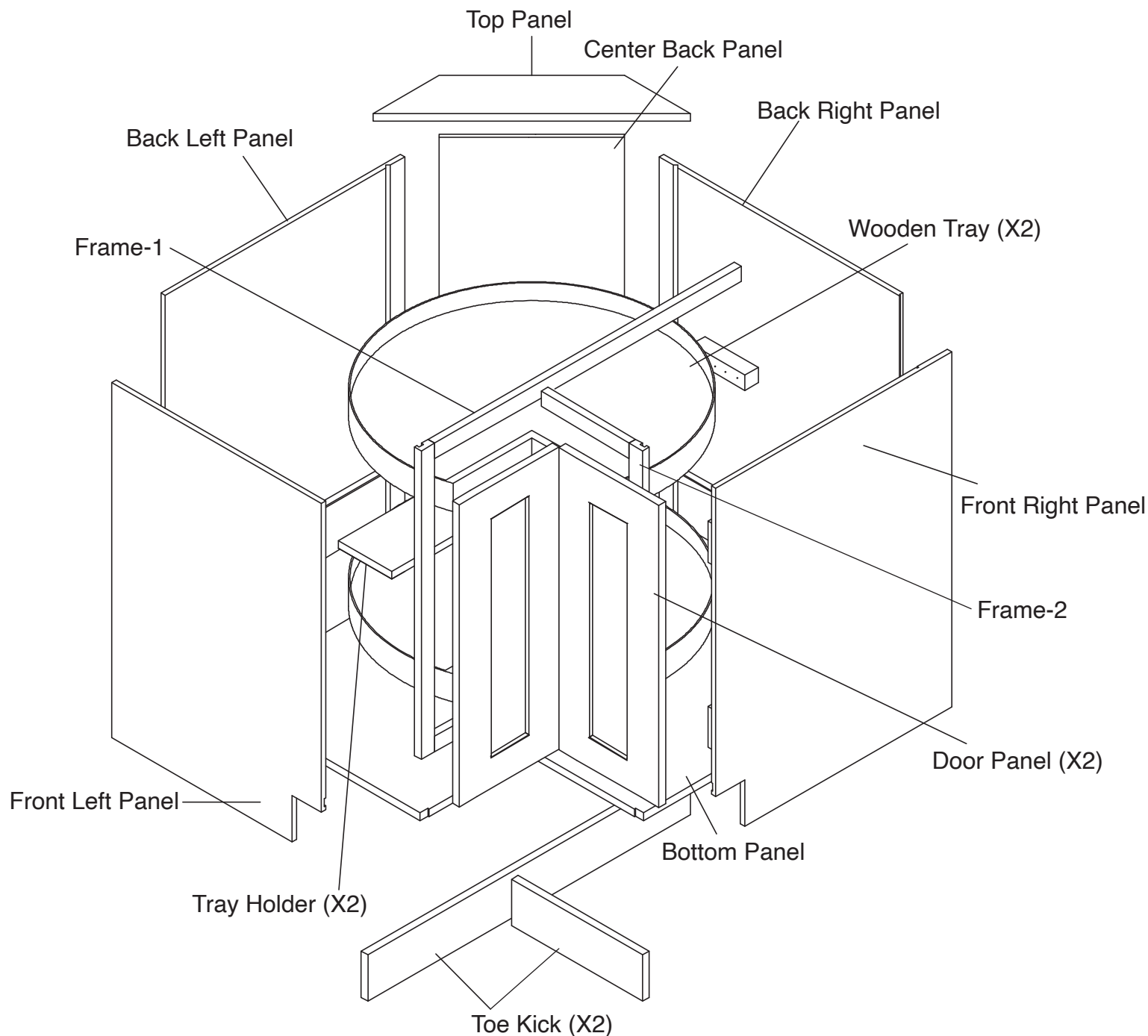
! WARNING:

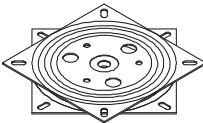
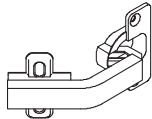

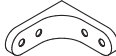






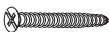
1. Please be careful when opening the box with boxcutter and/or blade.
2. J&K Cabinetry is not responsible for any injuries and/or damages incurred during cabinet assembly.

? SERVICE:

During the installation process, if you encounter any problems, please go to our official website: www.jandkcabinetry.com, check the full version assembly instruction or watch the assembly video online.

Included Items:



					
Flat Swivel X 2	Hinge 1 X 2	Hinge 2 X 2	90° Brackets X 4	Door Bumpers X 4	
1/2"	9/16"	3/4"	15/16"	1-3/16"	1-9/16"
					
Screws X 16	Screws X 8	Screws X 16	Screws X 20	Screws X 10	Screws X 6

Recommended Tools:



Wood Glue



Screw Driver



Rubber Mallet



Compressor



Nail Gun



Stapler



Senco Fastener

Safety Tools:

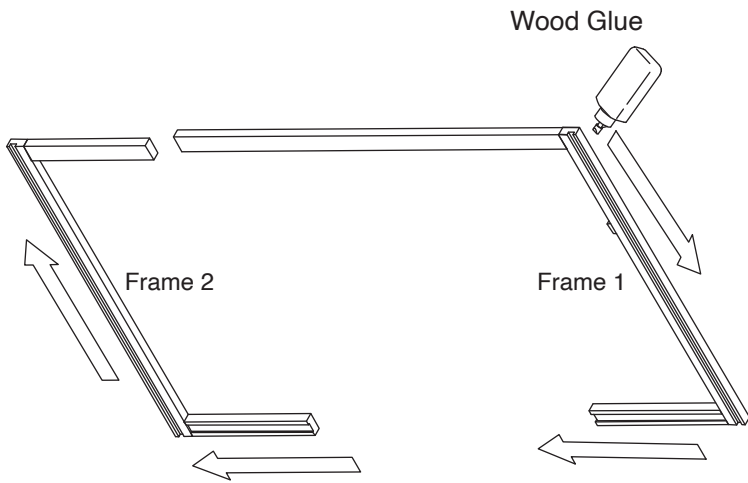


Eye Wear

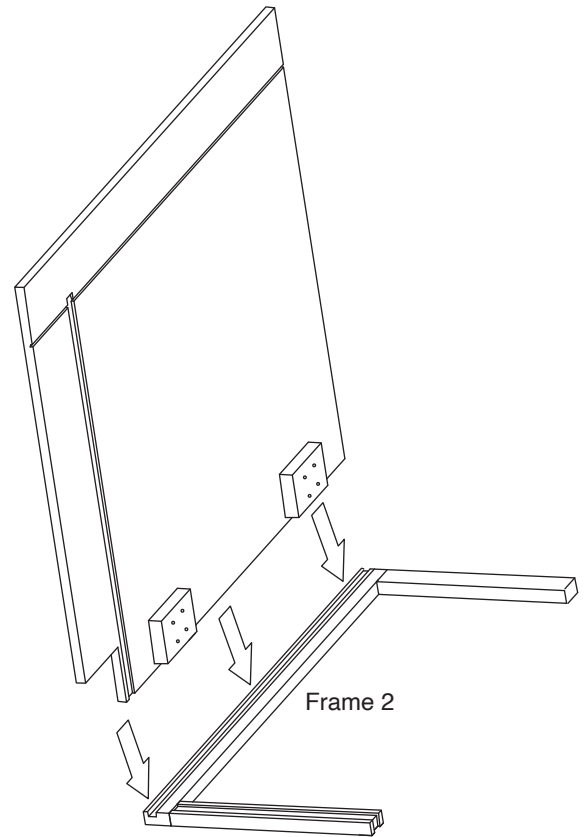


Gloves

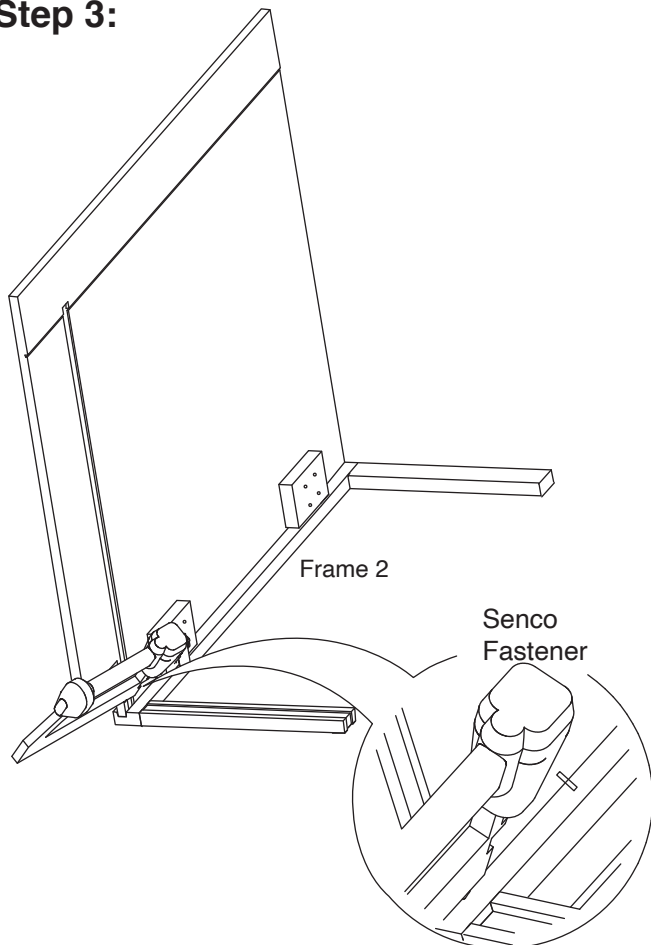
Step 1:



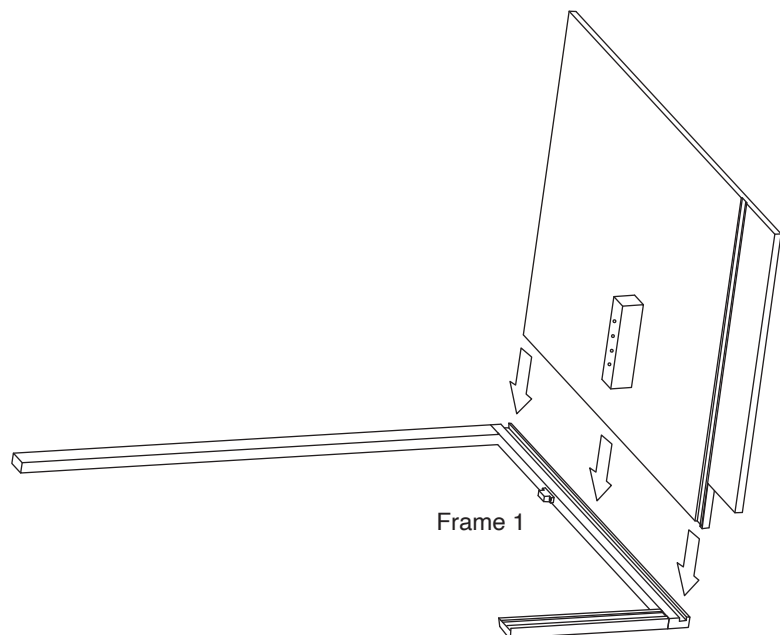
Step 2:



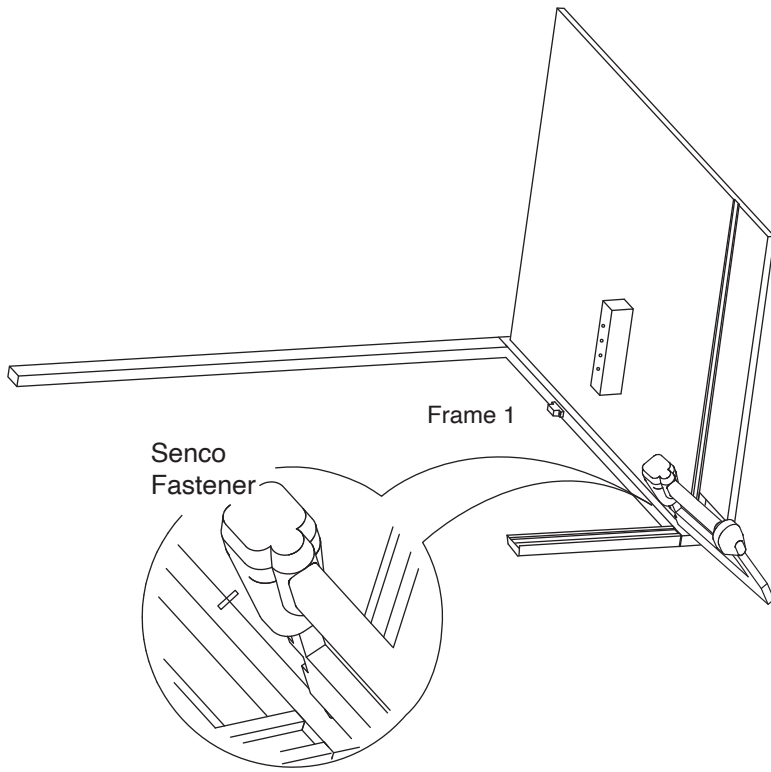
Step 3:



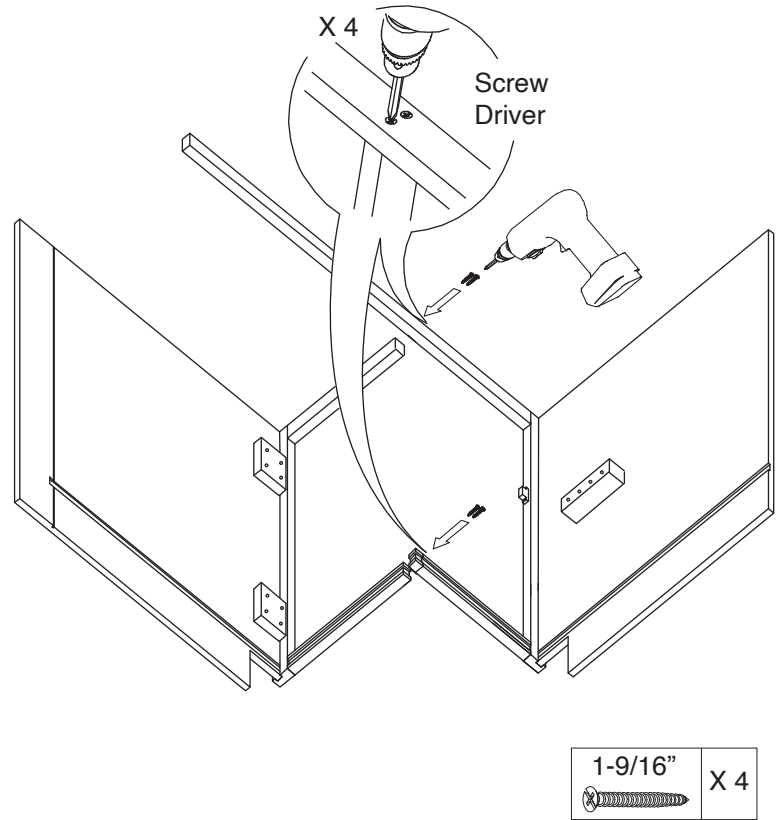
Step 4:



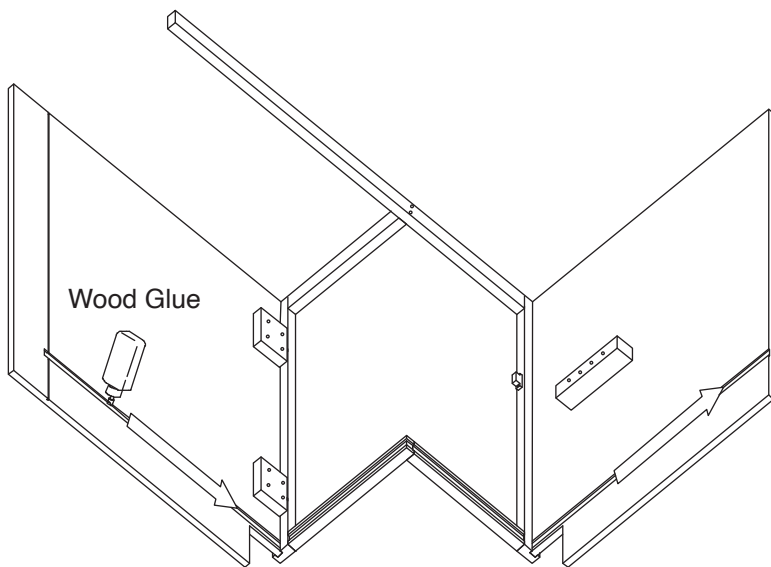
Step 5:



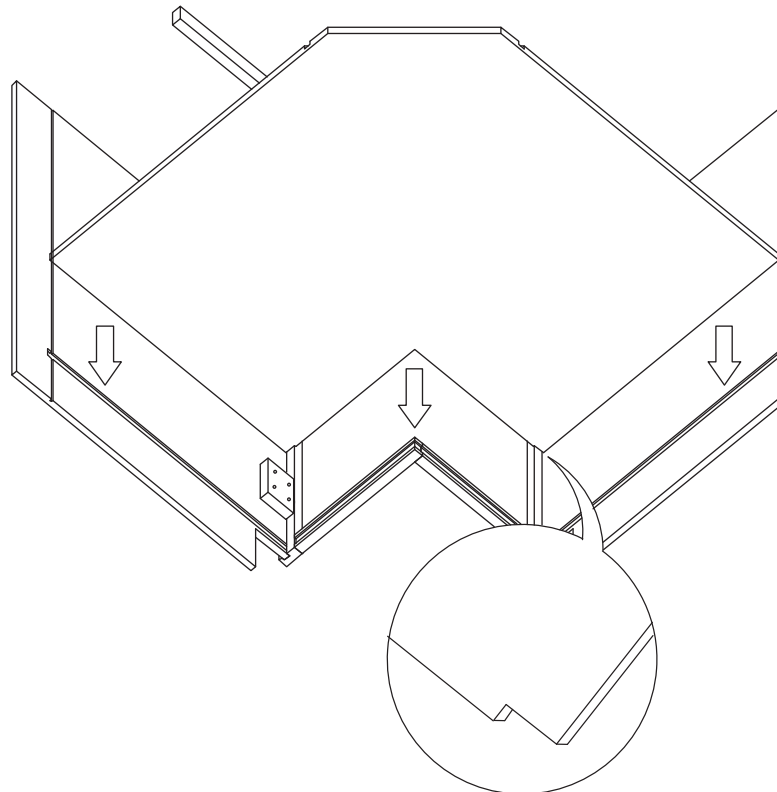
Step 6:



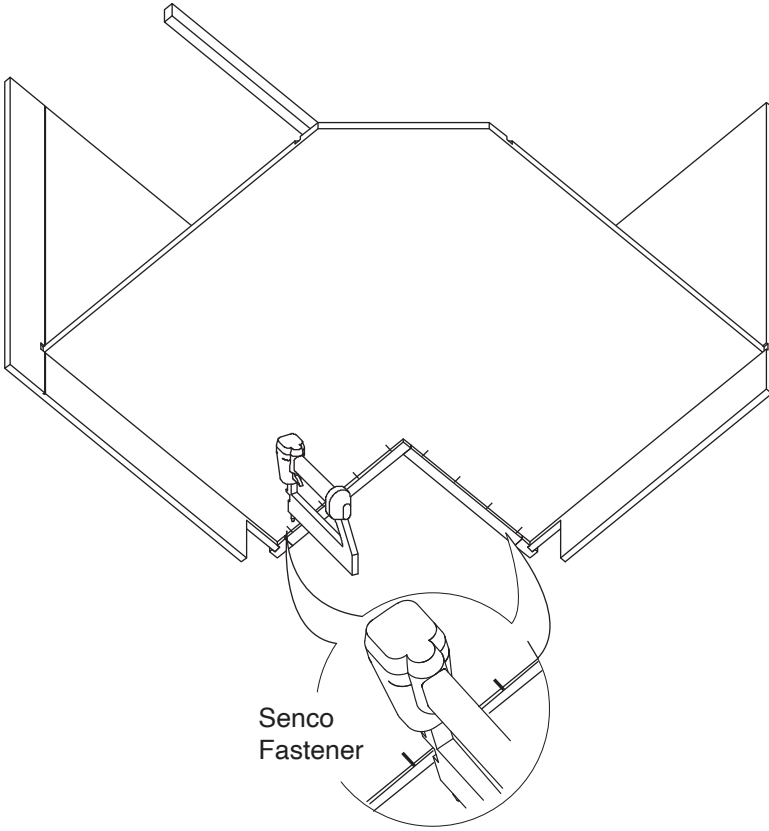
Step 7:



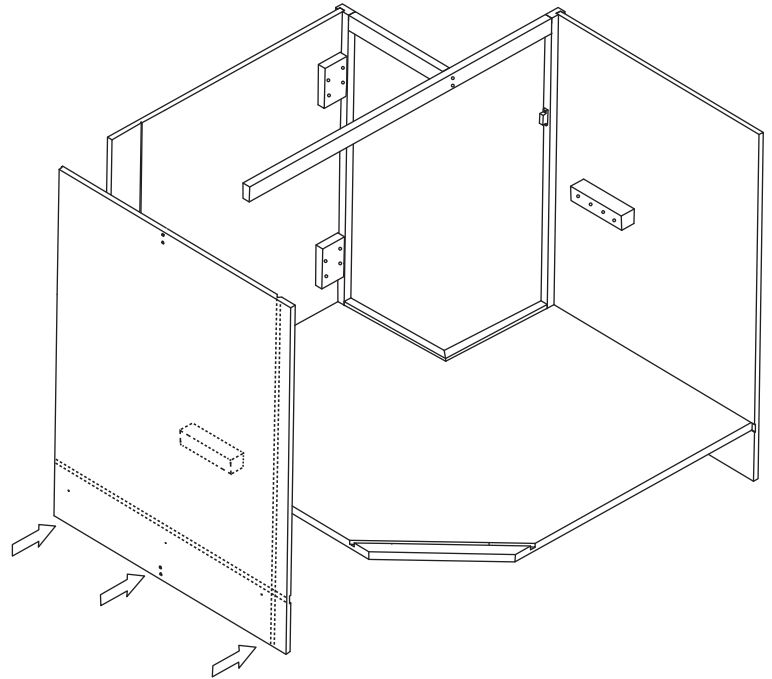
Step 8:



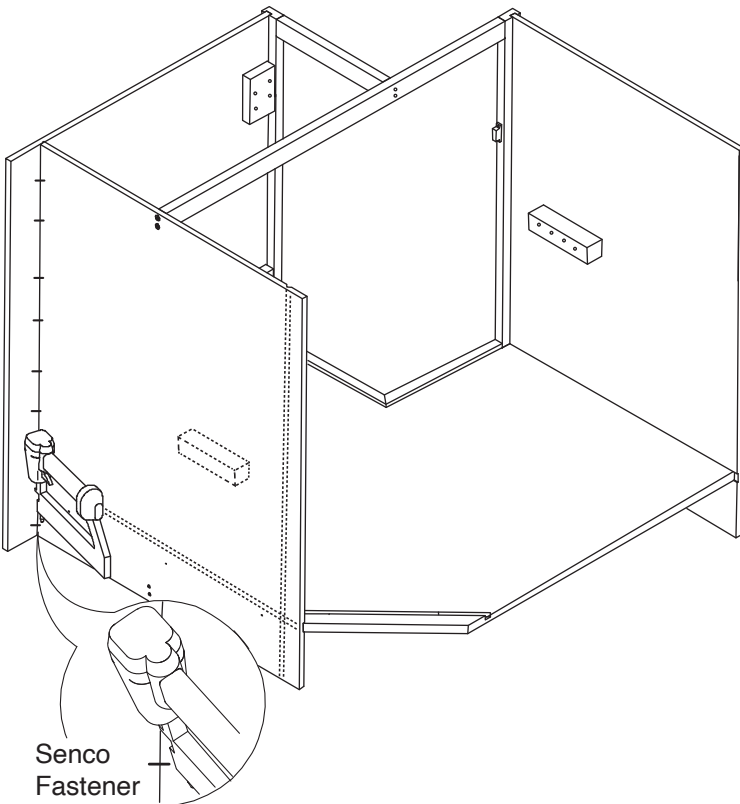
Step 9:



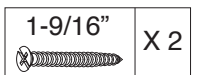
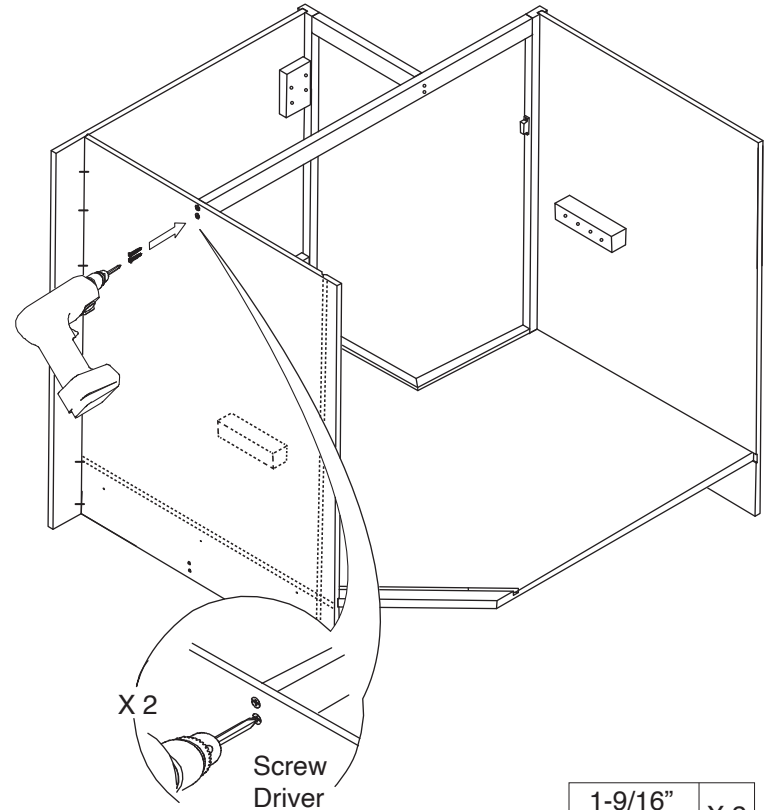
Step 10:



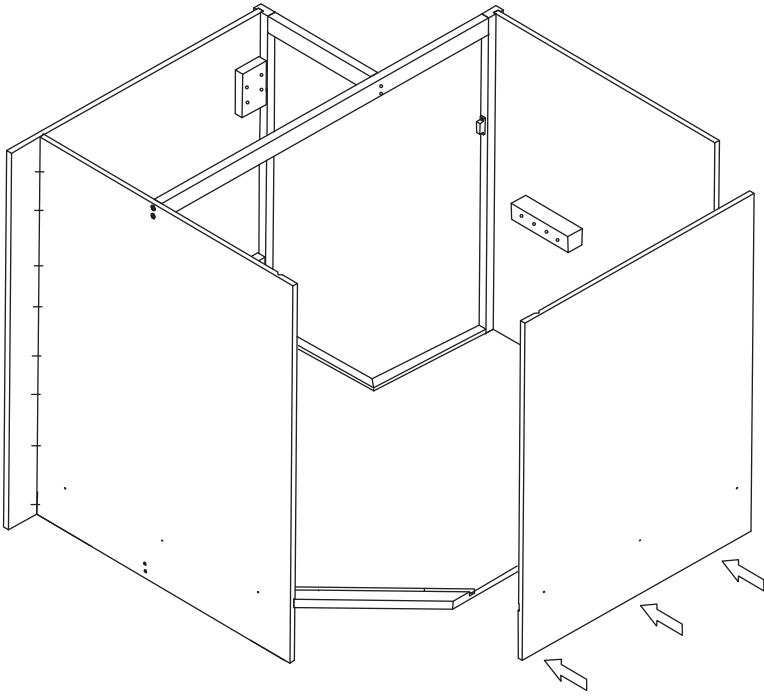
Step 11:



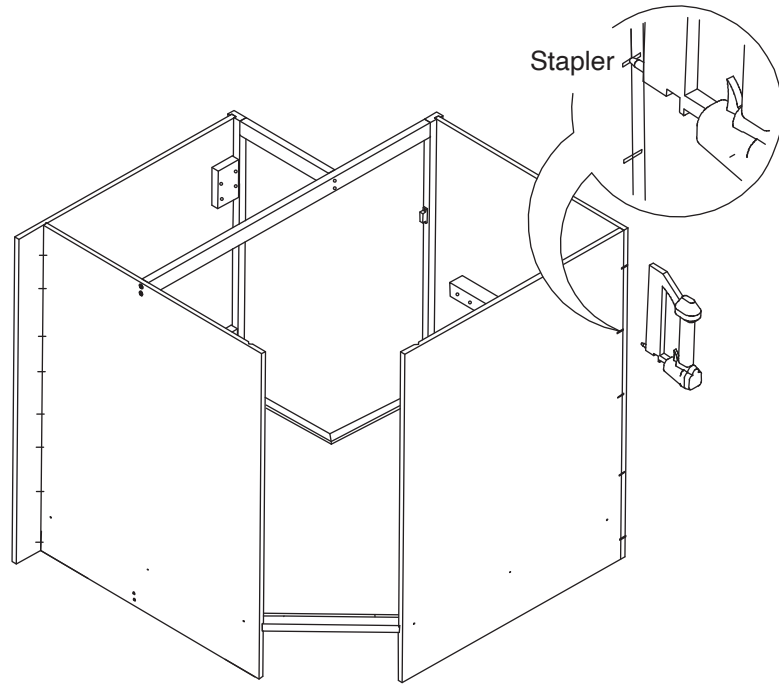
Step 12:



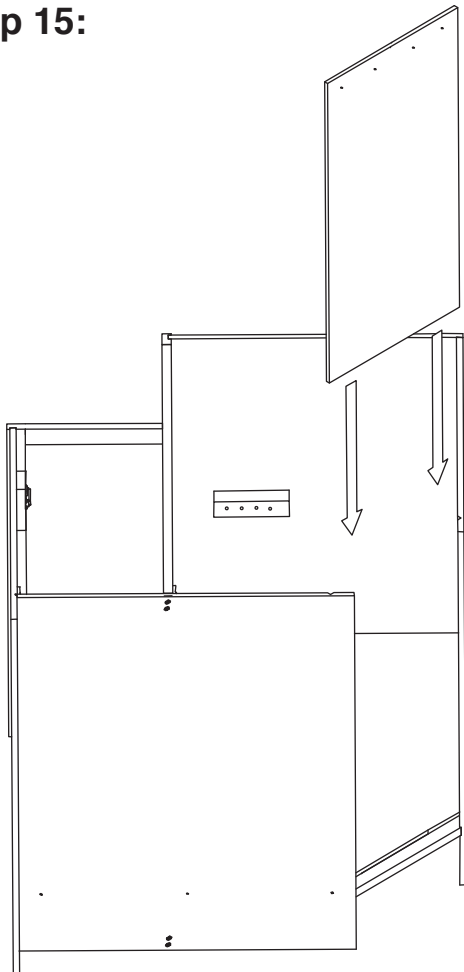
Step 13:



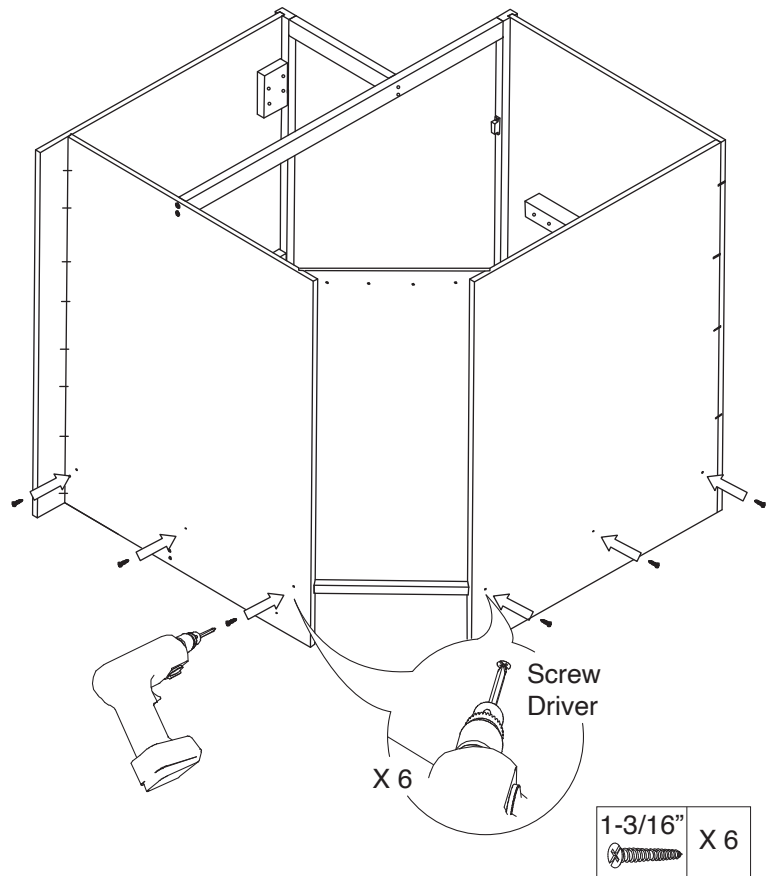
Step 14:



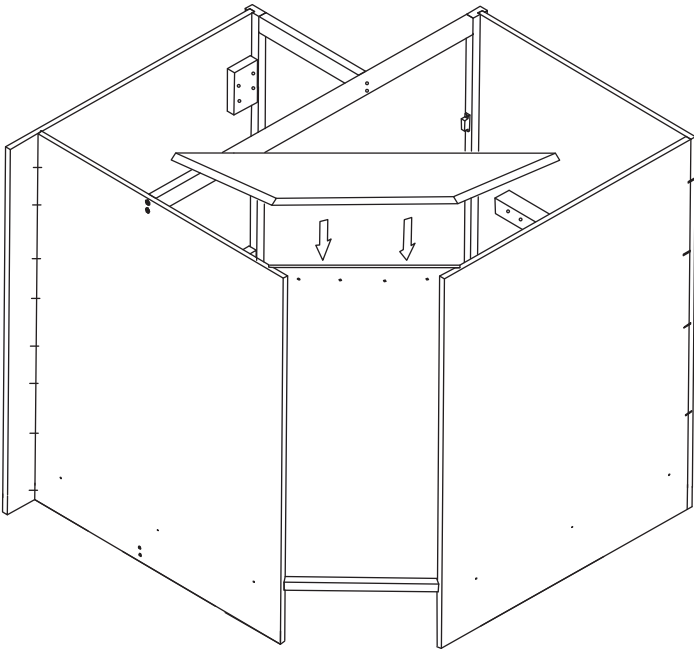
Step 15:



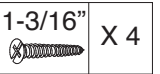
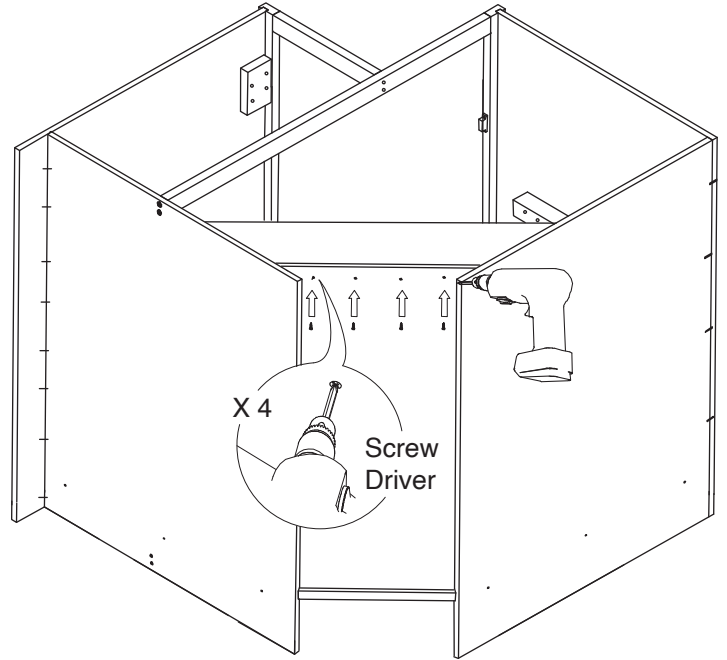
Step 16:



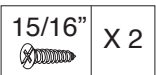
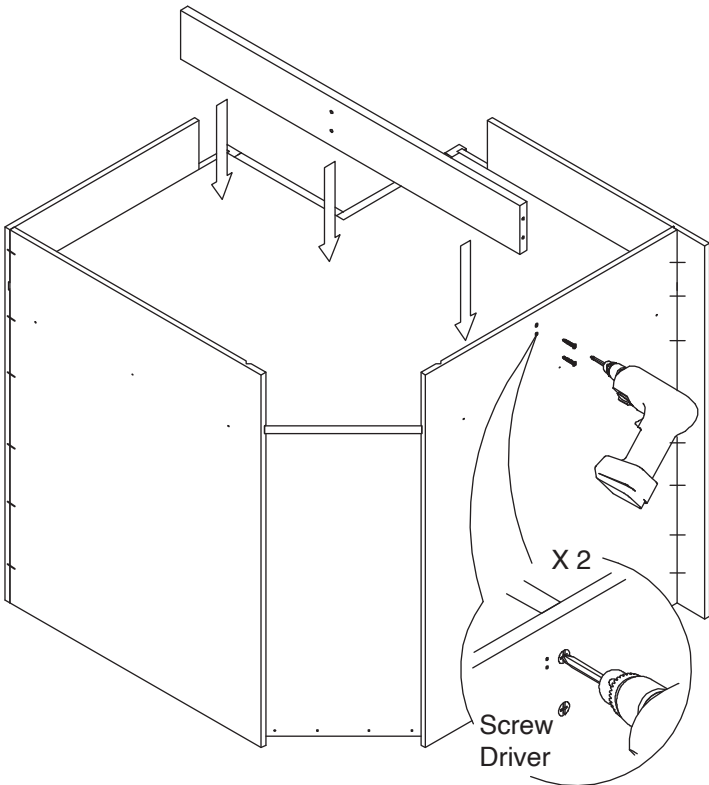
Step 17:



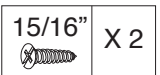
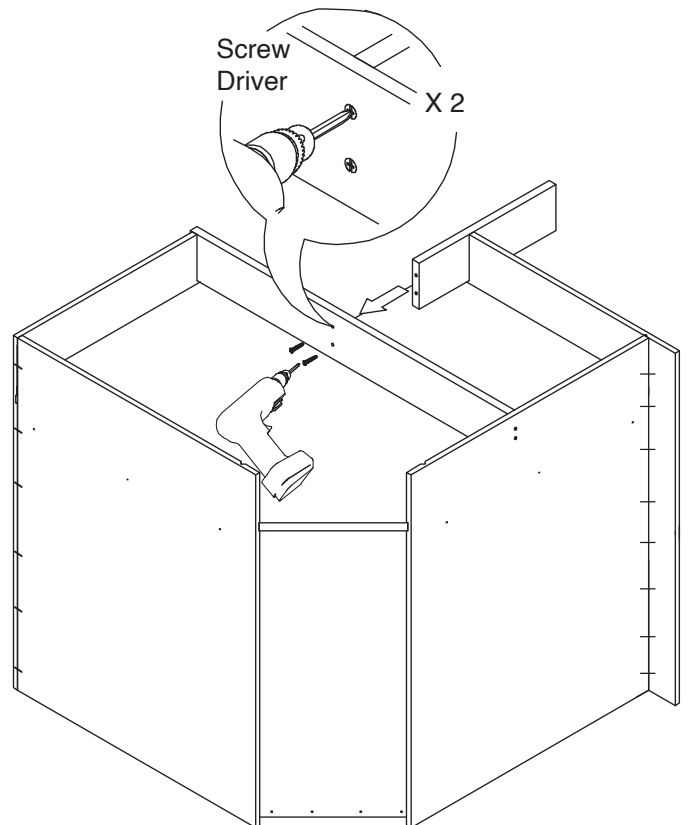
Step 18:



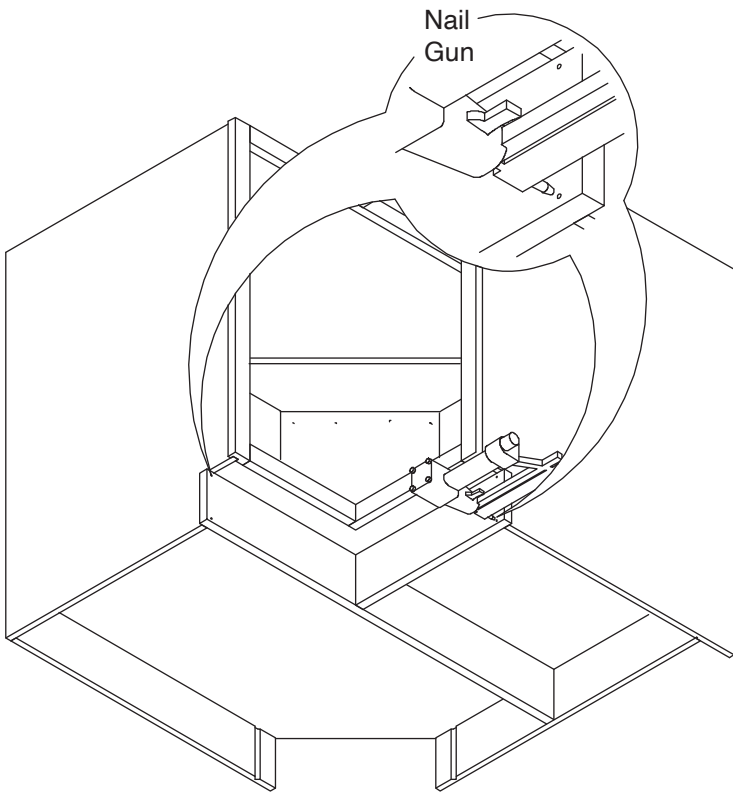
Step 19:



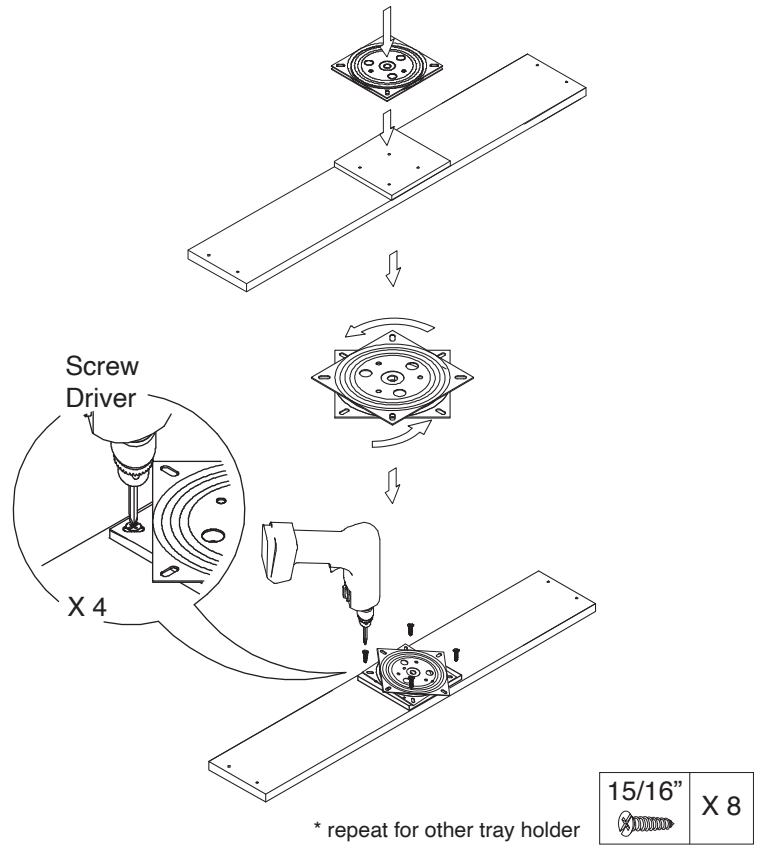
Step 20:



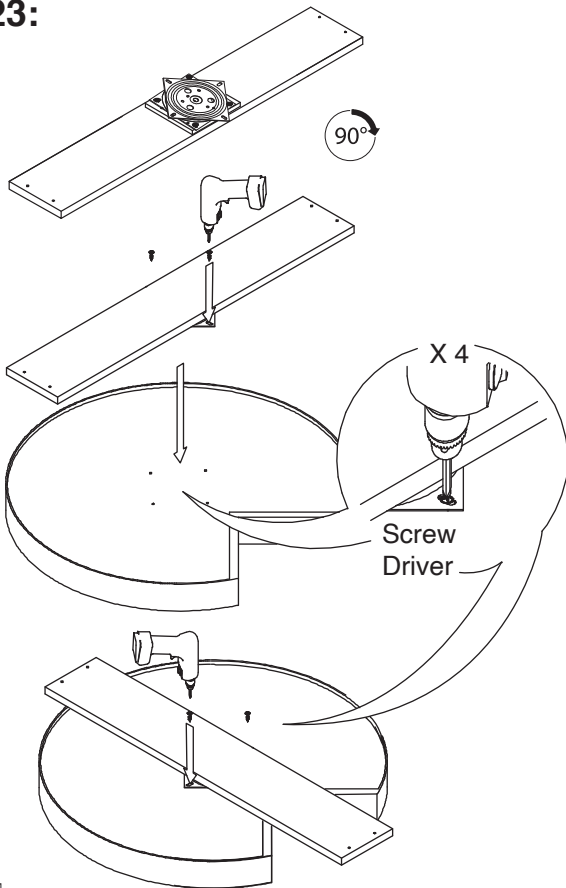
Step 21:



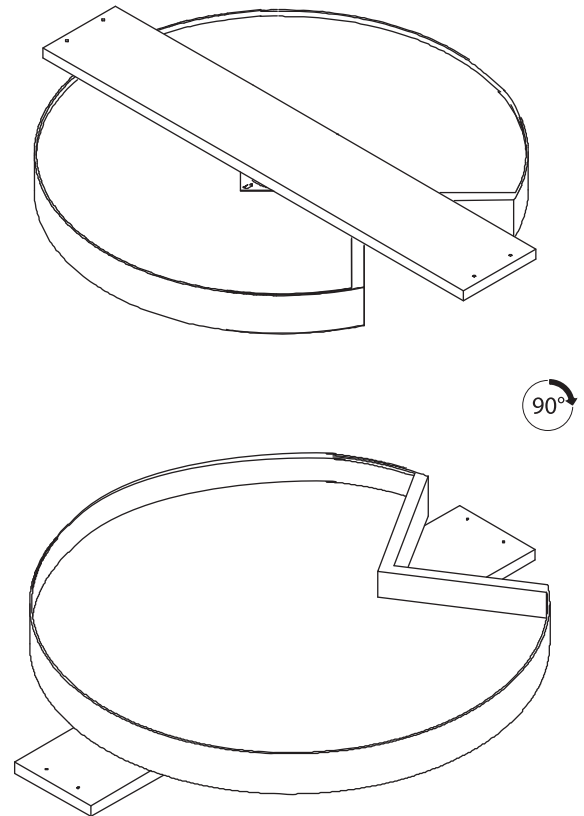
Step 22:



Step 23:



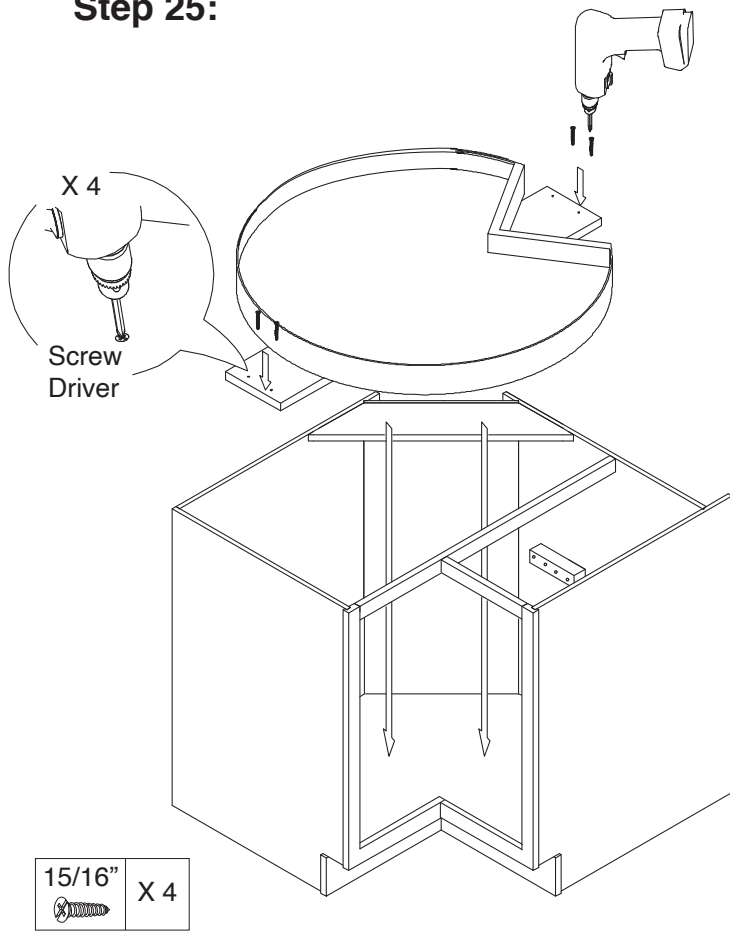
Step 24:



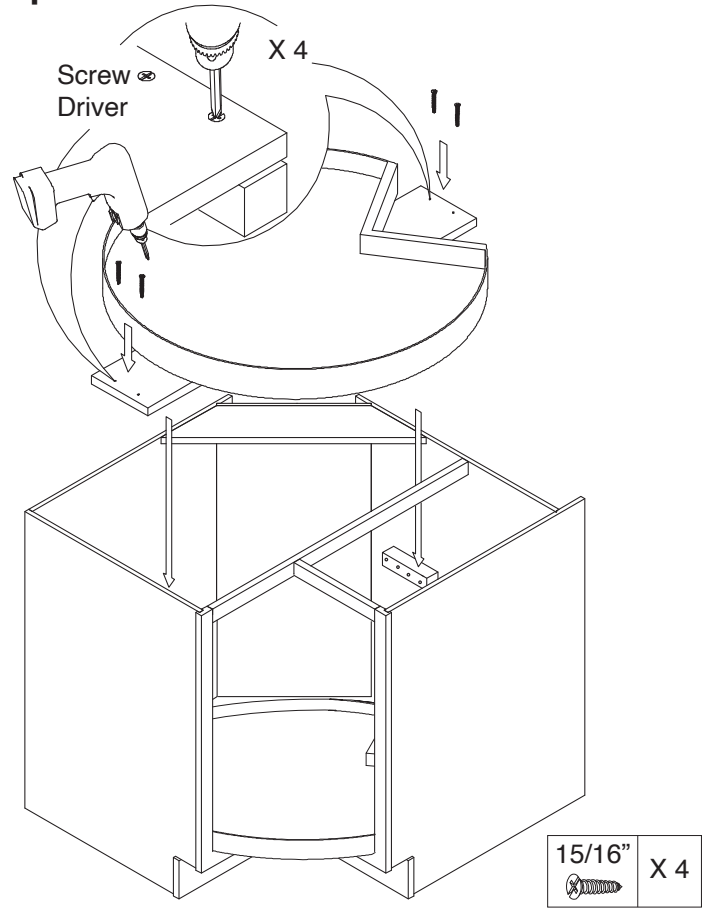
* repeat for other tray

* repeat for other tray

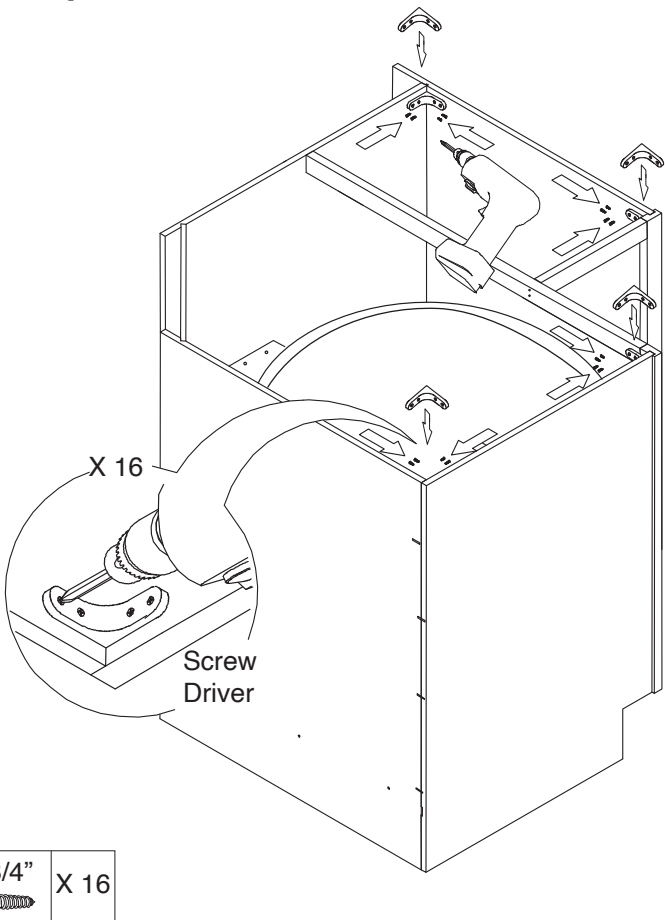
Step 25:



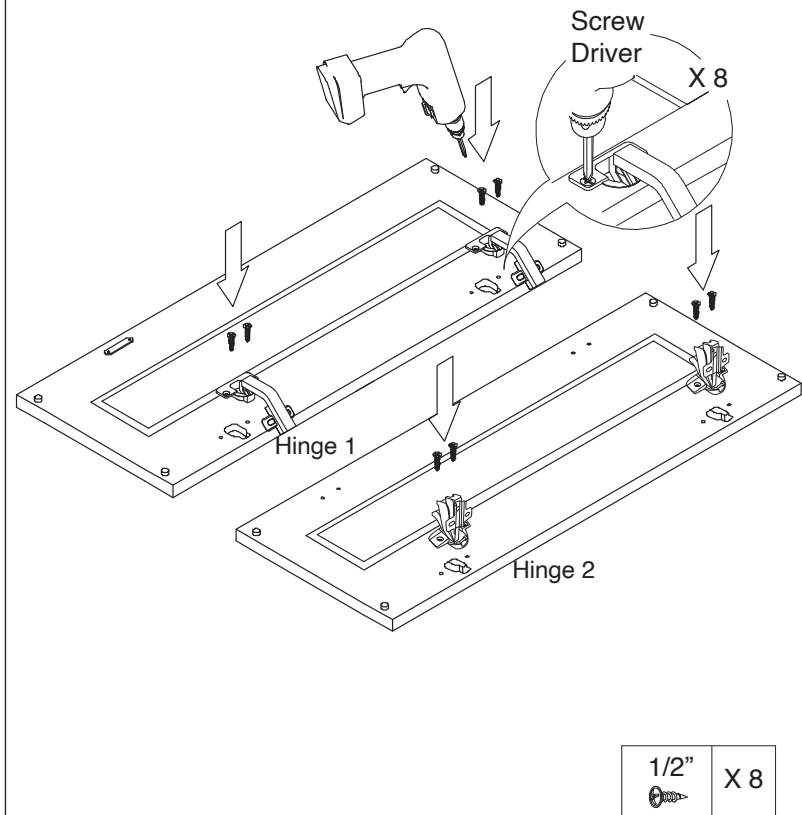
Step 26:



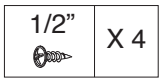
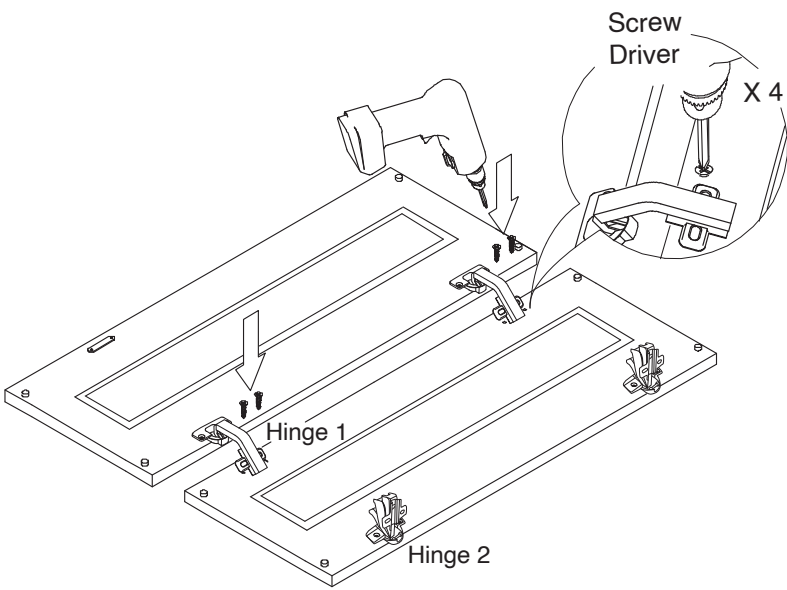
Step 27:



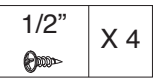
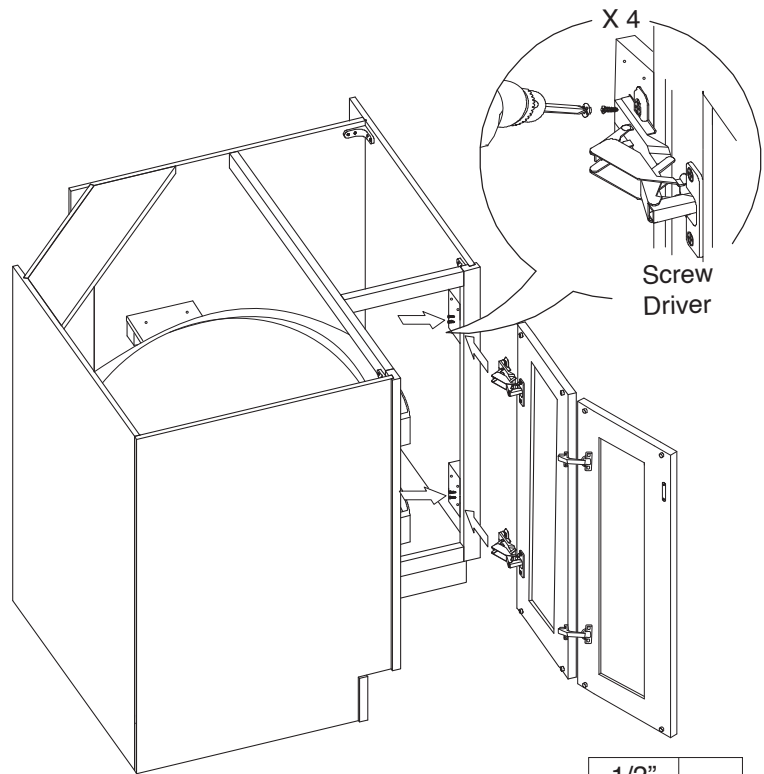
Step 28:



Step 29:



Step 30:



Step 31:

